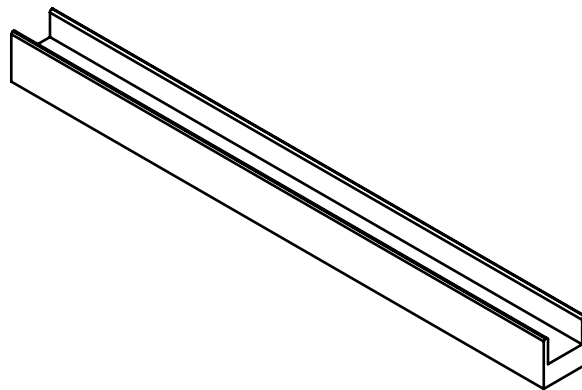
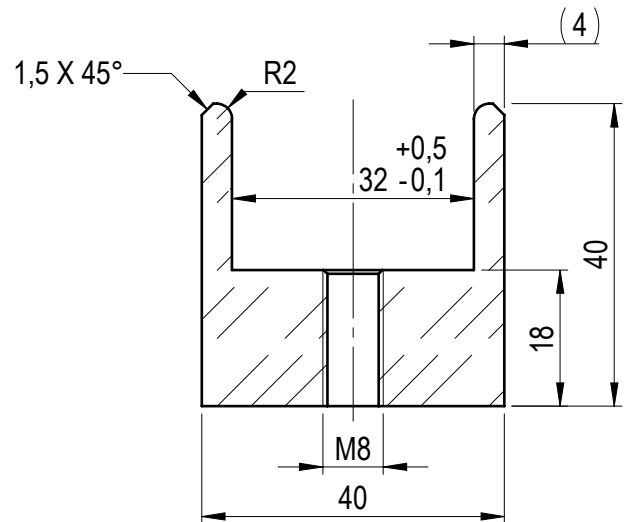
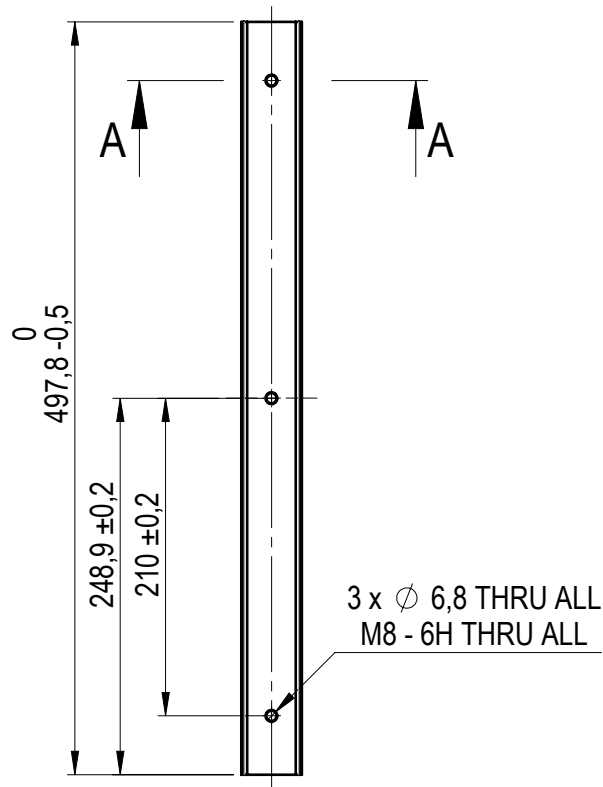


A-A
SCALE: 1 : 1



Other dimensions from .step file

| | | | | | | | | | | | | |
|----------------|--------------------|-----------|-------------------------|-----------|-------------|------------------------------------------------------|--------------|----------|--------------|------------|-----|--------|
| | MATERIAL | | 6082 T6 | WEIGHT | 1.194 Kg | DEBURR AND BREAK SHARP EDGES DO NOT SCALE DRAWING | | REVISION | DATE | 04.04.2025 | | |
| | SURFACE PROTECTION | | Anodizing ISO 7599:2010 | MACHINING | ISO 2768 mK | THERMAL CUTTING | ISO 9013 221 | WELDING | ISO 13920 BF | SCALE | 1:5 | FORMAT |
| | NAME | SIGNATURE | PART NO. | | | | | | | | | |
| Designed by | D. Dislers | | 105-21201-04 | | | | | | | | | |
| Drawn by | D. Dislers | | DESCRIPTION | | | | | | | SHEET 1/1 | | |
| Technical ref. | | | Glass bottom profile A1 | | | | | | | | | |